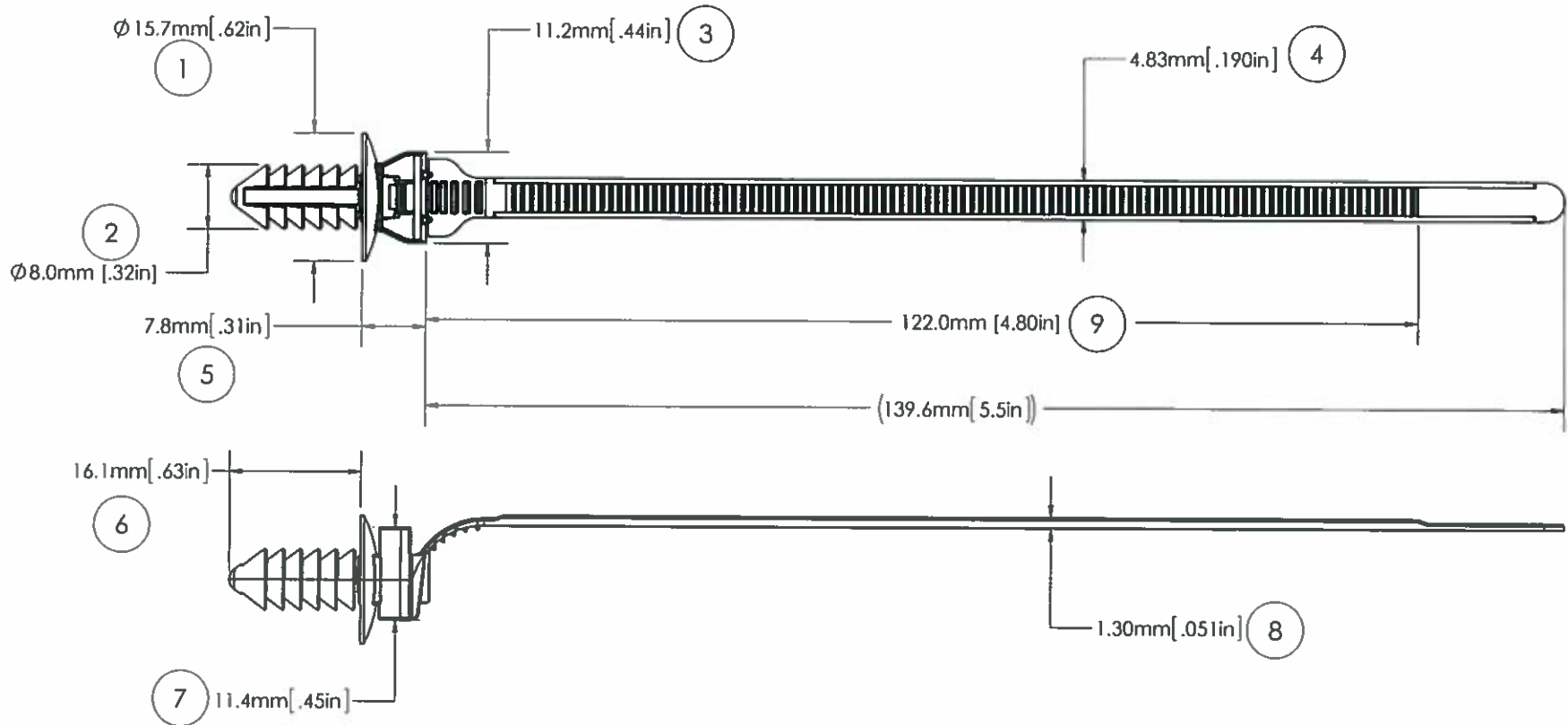


AVERY DENNISON MARKETING SPECIFICATION

| HISTORY | | DESCRIPTION |
|---------|---------------|-------------|
| REV. A | DATE 10-19-15 | RELEASED |

THE SUBJECT MATTER DISCLOSED HEREIN EMBODIES PROPRIETARY INFORMATION WHICH IS THE CONFIDENTIAL PROPERTY OF THE AVERY DENNISON CO. NONE OF WHICH SHALL BE COPIED, REPRODUCED, DISCLOSED TO OTHERS, PUBLISHED OR USED IN WHOLE OR IN PART, FOR ANY PURPOSE OTHER THAN THAT FOR WHICH IT IS BEING MADE AVAILABLE WITHOUT THE EXPRESS ADVANCE WRITTEN PERMISSION OF A DULY AUTHORIZED AGENT OF THE COMPANY. THIS DOCUMENT IS THE PROPERTY OF THE AVERY DENNISON CO. AND IS TO BE RETURNED TO THE COMPANY ON DEMAND.



| | |
|-----------------------|---|
| MOUNTING: | Ø 6.6mm ± 0.25mm HOLE AND 6.35mm HEX HOLE. PANEL THICKNESS OF 0.7mm TO 7mm. |
| TENSILE STRENGTH: | 50 LBF / 222N MIN. |
| OPERATING TEMP RANGE: | -40°F [-40°C] TO 302°F [150°C] CONTINUOUS AND 329°F [165°C] AT MAXIMUM EXPOSURE |
| WEIGHT: | 1.64 GRAMS |
| BUNDLE DIAMETER: | Ø 1/16" [1.6mm] TO Ø 1-1/4" [31.7mm] |
| TOOL: | 12001 - HAND TOOL 12500 - PNEUMATIC TOOL |
| TOOL TENSION SETTING: | 6 - 8 |
| PACKAGING: | 1000/BAG, 5 BAGS/MASTER |

| | |
|------------|--|
| APPROVALS: | ENG. APPR. <i>[Signature]</i> 10-19-15 |
| | Q.A. APPR. <i>[Signature]</i> 10-19-15 |

| | |
|---------------------------|--------------|
| SPECIFIED TOLERANCES ARE: | |
| .XX ± .03 INCHES | .X ± .7 MM |
| .XXX ± .010 INCHES | .XX ± .25 MM |
| ANGULAR: ± 2° | |

| | |
|----------|--|
| MATERIAL | NYLON 6/6, IMPACT MODIFIED, HEAT STAB. |
| COLOR | BROWN |

| | | |
|--|---|----------------------|
| AVERY DENNISON <small>FASTENER DIVISION FITCHBURG, MA 01420 U.S.A. TEL. 1-800-725-5913 FAX. 978-353-8157</small> | DESCRIPTION | REV. |
| | LOW INSERTION FIR TREE, 5.5" TIE, HIGH HEAT | STOCK NO. 20140-HHBN |